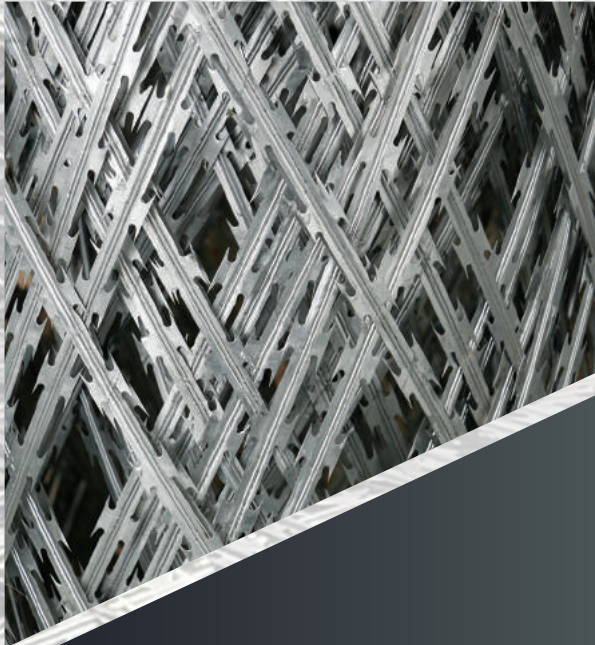
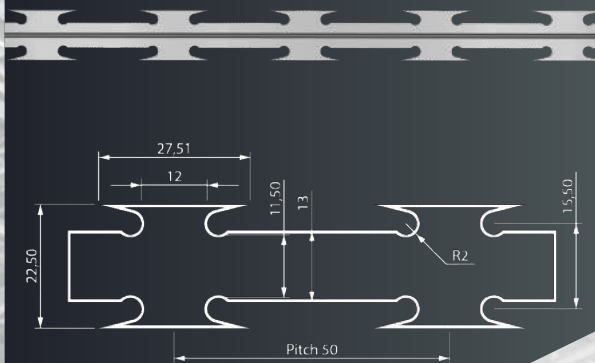


WELDED RAZOR WIRE MESH



SUPER BLADE



SPECIFICATION:

- **Available in Sheet Height:**
1200mm, 1800mm, 2100mm, 2400mm
- **Sheet Length:**
6000mm
- **Galvanized Steel Thickness:**
0.30mm — 0.50mm ± 0.10 mm
- **Galvanized Wire Diameter:**
2.4mm — 2.5mm ± 0.10 mm
- **Standard Density:**
apertures: 150mm — 300mm
- **High Density:**
apertures: 75mm — 150mm